

/ BROKK 110

The Brokk 110 can handle almost anything. With its compact size and outstanding power, it dominates in confined spaces and can easily handle tough terrain or stairs. Additionally, the Brokk 110 can fit in an elevator, as well as a car trailer or small truck. The Brokk 110 is the perfect solution for a wide variety of residential, commercial, and industrial environments. It is truly stronger, smarter, and tougher.

- The most powerful machine in its size
- 19.5 kW Brokk SmartPower™ electrical system
- Powered with both 16 A and 32 A
- 360° working radius



Hydraulic breaker in images: BHB 155. Concrete crusher in image: CC340.
Load and stability diagram available on request



TECHNICAL DATA

Slewing speed	10 sec/360°
Transport speed, max.	2.5 km/h; 1.6 mph
Climbing inclination, max.	30°
Hydraulic system capacity	40 l; 10.6 US gal
Pump type	Variable load-sensing
System pressure	18 MPa; 2611 psi
Pump flow 50 Hz	54 l/min; 14 US gal/min
60 Hz	65 l/min; 17 US gal/min
Power technology	SmartPower™
Electric motor type	ABB
Power*	19.5 kW
Recommended fuse size*	32 A
Minimum fuse size (reduced power)*	16 A
Starting device	Soft start/Direct start
Control type	SmartRemote™, portable
Signal code	Digital
Transfer	Professional radio/Cable
Range, radio	Up to 300 m
Machine weight**	990 kg; 2183 lbs
Recommended attachment weight	160 kg; 353 lbs
Sound power level L_{WA}***	91 dB(A)

*Valid for 400 V/50 Hz and 440 V/60 Hz

**Excluding options and attachment

***Measured according to directive 2000/14/EC, excl. attachment

OPTIONS

Extra cylinder protection

Rubber caterpillar tracks

Steel caterpillar tracks

Heat resistant hoses

Forced draft cooling for machine

Forced draft cooling for breaker

Steel pads

Atomized water mist **NEW!**

Air flushing for breaker

Water spray for breaker

Extra hydraulic function

Drainage hose

CAN cable connection

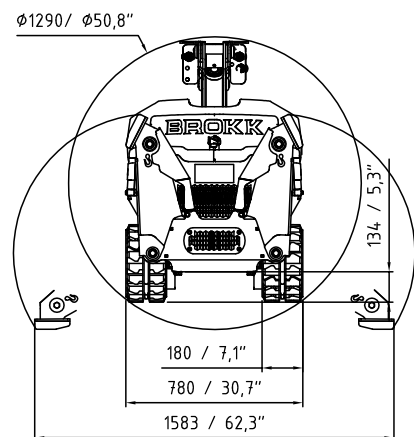
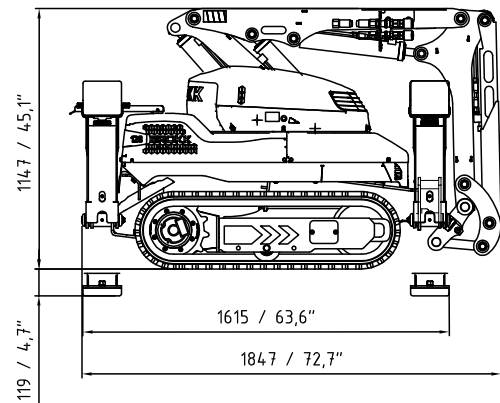
Counterweight

Lifting eyes (regular lifting points are standard)

Extra support roller for rubber caterpillar tracks

Motion warning

SIZE



RANGE

